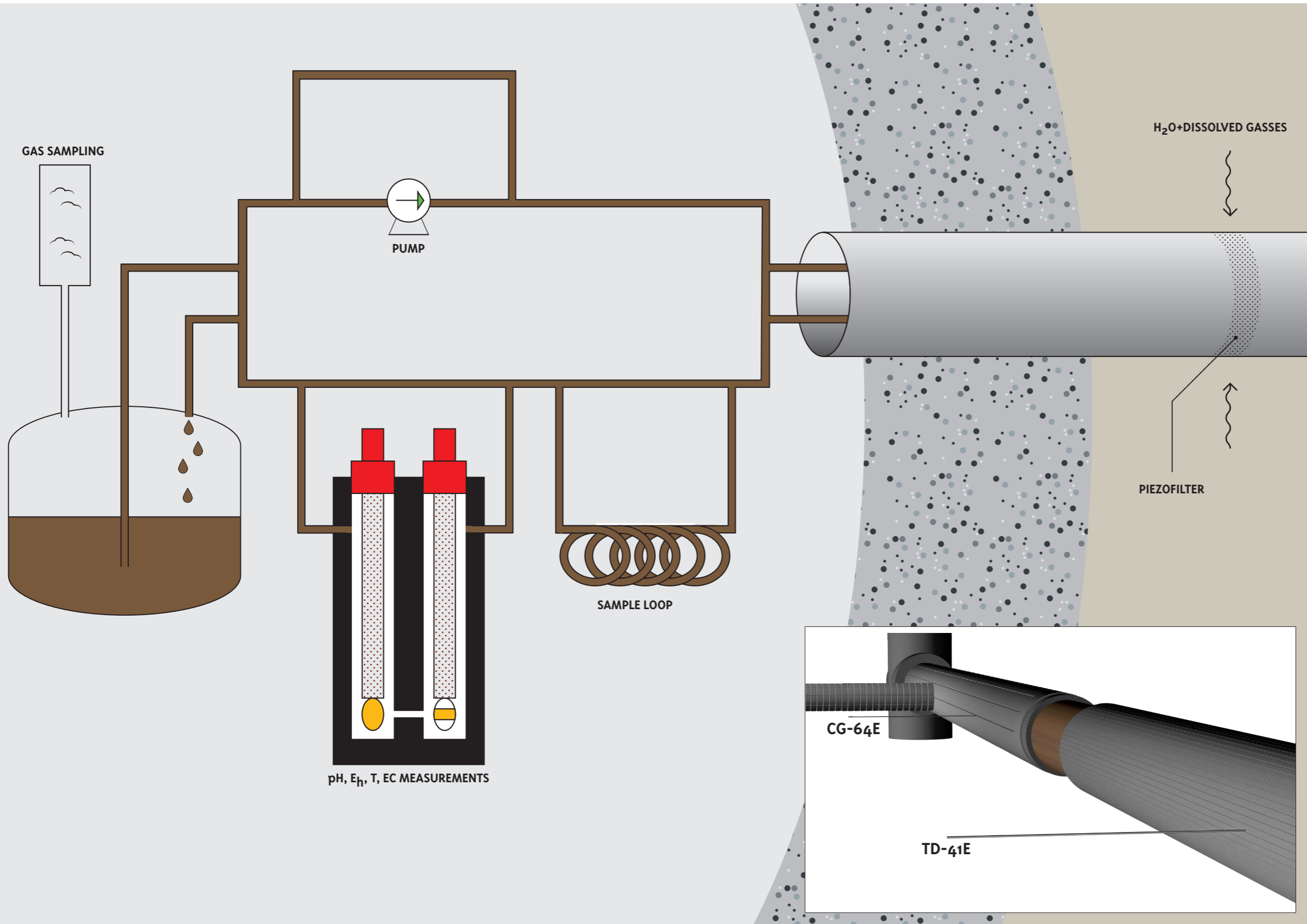


Near Field PROcesses (oxidation)



GOAL

Study of the effect of oxidation on Boom Clay.

2004
Installation of two identical multi-filter piezometers in the Test drift (TD-41E) and the Connecting gallery (CG-64E)

FIRST BOREHOLE DRILLING WITH NITROGEN TO AVOID ADDITIONAL OXIDATION

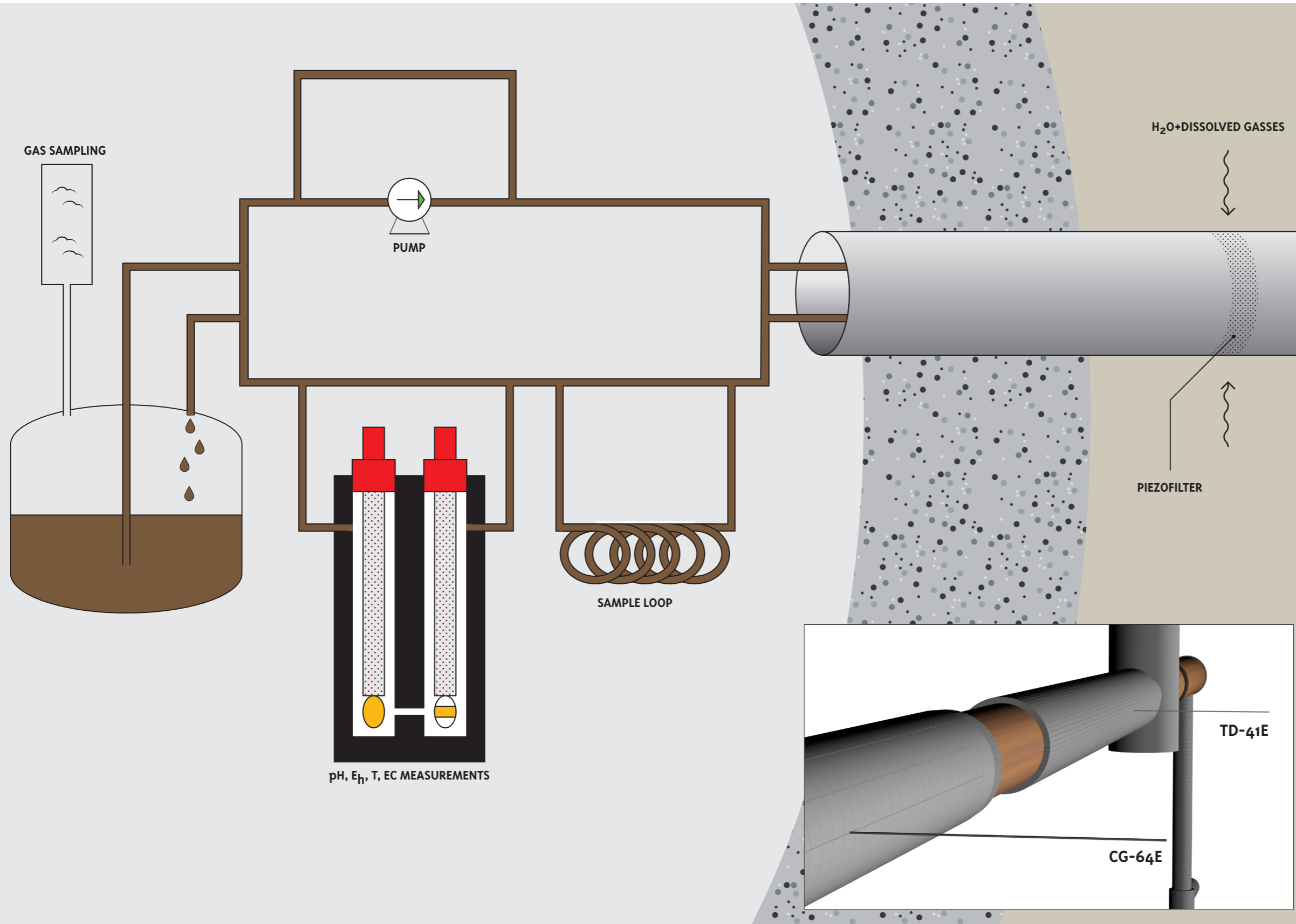
DESIGN AND INSTALLATION OF AN EXPERIMENTAL SET-UP FOR THE SIMULTANEOUS SAMPLING OF PORE WATER AND DISSOLVED GASSES, AND pH MEASUREMENT AT IN-SITU CONDITIONS.

CHARACTERISATION OF THE GEOCHEMICAL PROCESSES INVOLVED IN OXIDATION

- OXIDATION OF PYRITE AND ORGANIC MATTER
- CHANGE IN THE COMPOSITION OF PORE WATER AND DISSOLVED GASSES
- CHANGES IN MINERALOGY



Near Field PROcesses (oxidation)



GOAL

Study of the effect of oxidation on Boom Clay.

2004
Installation of two identical multi-filter piezometers in the Test drift (TD-41E) and the Connecting gallery (CG-64E)

FIRST BOREHOLE DRILLING WITH NITROGEN TO AVOID ADDITIONAL OXIDATION

DESIGN AND INSTALLATION OF AN EXPERIMENTAL SET-UP FOR THE SIMULTANEOUS SAMPLING OF PORE WATER AND DISSOLVED GASES, AND pH MEASUREMENT AT IN-SITU CONDITIONS.

CHARACTERISATION OF THE GEOCHEMICAL PROCESSES INVOLVED IN OXIDATION

- OXIDATION OF PYRITE AND ORGANIC MATTER
- CHANGE IN THE COMPOSITION OF PORE WATER AND DISSOLVED GASES
- CHANGES IN MINERALOGY

